

Scorpion ALPR Processor

Securing Communities - Saving Lives.



Key Features:

- » Core 2 Duo Processor
- » Weatherproof
- » Processes 2 lanes of high speed and high density traffic
- » Handles 2 dual ALPR cameras (color image, IR plate patch)
- » Stores video data and imagery
- » 365 days per year operation
- » Day and Night recognition capability
- » Secure mounting straps and brackets
- » Quick release brackets

Deployment:

- » Pole mount
- » Bridge/road sign
- » Street light mount

Pole mountable ALPR processor

Scorpion is a powerful and compact rugged ALPR processor unit specifically designed to be totally weatherproof and withstand extreme environmental conditions and temperature fluctuations. The processor unit features a 80 GB hard drive with embedded Windows Operating System, frame grabbers and Talon ALPR Engine.

Scorpion is capable of handling up to 4 separate video inputs, processing imagery from 2 dual ALPR cameras providing color contextual overview imagery and IR number plate patches. The Scorpion processor takes imagery from the cameras and runs the plate recognition processes. Local hotlists can be securely stored and managed by direct connection to any web based services such as VISCE. Scorpion can store 2 million time stamped images and pre and post capture videos and can be powered from a standard mains supply enabling quick and tidy installation with no other requirement or additional street furniture and roadside image storing hardware. All captured data can be easily transmitted using WLAN or optional G3, GPRS, WiFi packages, or downloaded through USB ports.



The compact size of the Scorpion unit offers flexibility in deployment. Manufactured from heavy duty aluminium with large heat sink, Scorpion is engineered and tested to operate in extreme heat and temperature conditions up to 40°. Ideally suited for high specification remote fixed site ANPR installations, Scorpion could be mounted on a pole or a street light, fixed to a wall, bridge or road sign. Custom-designed mounting straps and brackets for Scorpion provide a secure and safe roadside installation while a quick release bracket function eases the removal for routine maintenance.

The Scorpion Core 2 Duo based processor enables an increased ALPR engine speed, processing capability, storage, capacity and unlimited features for data transfer and management. Scorpion's ability to process two 'Dual' ALPR cameras simultaneously while keeping the compact size, ruggedness and weatherproof engineered design makes this a very attractive ALPR solution.

NDI Recognition Systems

725 West S.R. 434 Suite E
Longwood, FL 32750

Tel: 866-458-0426 Fax: 321-441-1801

Web: www.ndi-rs.com Email: sales@ndi-rs.net



NDI Recognition Systems

9700 Research Drive Suite 136
Charlotte, NC 28262

Tel: 866-458-0426 Fax: 321-441-1801

Web: www.ndi-rs.com Email: sales@ndi-rs.net

Specifications

Processing

- CPU:** Intel Core 2 Duo 2Ghz minimum
- RAM:** 2GB
- Hard drive:** 80GB minimum
- LAN:** 10/100/1000 Base-T
- USB:** USB 2.0 (up to 480Mbps)
- Video:** Up to 2048 x 1536 @ 75Hz
- Video Capture:** 4PCI frame grabbers - 120fps
- WiFi:** 2.4/5.8 GHz IEEE 801.11b/g, 54Mbps
- Antenna:** 4dBi end fed dipole (TNC)

Connections

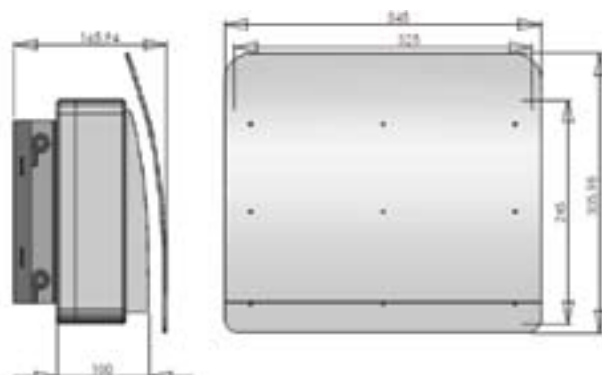
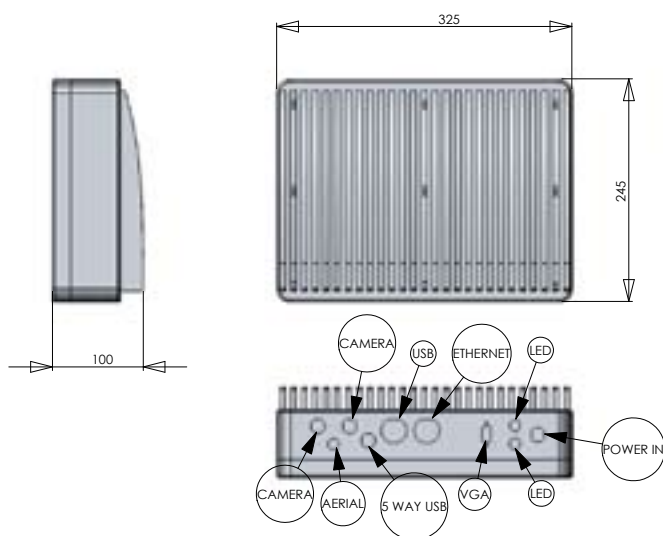
- Camera1:** Dual Camera connection
- Camera2:** Dual Camera connection
- Antenna 1:** WiFi Antenna connection
- Antenna 2:** GSM/GPRS Antenna connection (optional)
- Ethernet:** Ethernet connection for set up and test purposes
- USB:** USB connection for setup and test purposes
- Power:** AC power input

General Information

- Power:** 85-264 V AC
- Frequency:** 47-63Hz
- Current:** 1.4 A (typical at 100 V AC)
0.7 A (typical at 200 V AC)
- Indicators:** Power on (green LED)
Disk Activity (red LED)
- Environmental:** Sealing IP 67
- Temperature:** Storage : -4° to 158°
Operational: 32° to 140°
- Dimensions:** H 9.6" X W 12.8" X D-3.9"
- Weight:** 30.8 lbs.
- Housing:** Hard anodized aluminium
- Accreditations and approval:** CE, FCC, UL/ cUL 60950, TUV EN60950

Options

- WAN:** GSM/GPRS/3G Modem
- WAN Antenna:** GSM/GPRS/3G Antenna connection
- WiFi Antenna:** 10db,12db,18db,23db (2.4GHz or 5.8 Ghz)



Scorpion dimensions with a weather shield

Due to a policy of continued product development, NDI Recognition Systems reserves the right to alter or amend any published specifications without notice.

NDI Recognition Systems

725 West S.R. 434 Suite E
Longwood, FL 32750

Tel: 866-458-0426 Fax: 321-441-1801

Web: www.ndi-rs.com Email: sales@ndi-rs.net



NDI Recognition Systems

9700 Research Drive Suite 136
Charlotte, NC 28262

Tel: 866-458-0426 Fax: 321-441-1801

Web: www.ndi-rs.com Email: sales@ndi-rs.net