

V-220 EX

Mobile ANPR / ALPR Camera

Serious about ANPR. Serious about Service.



Key Features:

- » Compact size and low profile
- » Weatherproof to IP68
- » 10X optical zoom
- » 2x variable zoom camera modules
- » Infrared image capture for ANPR
- » Color contextual overview image capture
- » Infrared wavelength options for worldwide use
- » 5' to 45' range
- » Configuration GUI
- » Multiple pre-sets
- » Nitrogen flushed

Engineered for mobile ANPR / ALPR applications, the V-220 EX delivers large functionality in a small package. With its compact form and low profile, the V-220 EX is easily mounted on the light bar or trunk of a patrol vehicle or installed elsewhere for covert applications.

Available in several configurations for universal application, the standard V-220 EX setup includes a dual-lens (infrared and color), 10x optical zoom camera coupled with infrared illumination available in a wide range of wavelengths to suit local plate designs and reflectivity. Synchronizing the camera shutter to the high-power infrared flash allows the V-220 EX to capture plates at up to 45' (13.7 m), depending on wavelength. This also contributes to the V-220 EX's outstanding performance on older, oxidized plates that may require more illumination. A band-pass filter mitigates excess illumination from sun glare and/or headlights.

The optical zoom feature allows the V-220 EX to be adapted for specific operational requirements (i.e. parking lot patrol, vehicle checkpoints, or high-speed roadway applications). This also allows the V-220 EX to accurately identify and interpret different sizes of license plates from around the world.

The V-220 EX interfaces to the VP-400 Mobile ANPR / ALPR Processor, SC-IV Processor, or the TGX Series of frame-grabbers. Proven around the world, the V-220 EX is in a class all its own!



NDI Recognition Systems

NDI House, Barony Court
Nantwich, Cheshire, CW5 5RD
Tel: 0844 381 4171 Fax: 0127 062 5285
Web: www.ndi-rs.com Email: sales@ndi-rs.com



NDI Recognition Systems

105 E. State Road 434
Winter Springs, FL 32708
Tel: 866-458-0426 Fax: 321-441-1801
Web: www.ndi-rs.com Email: sales@ndi-rs.net

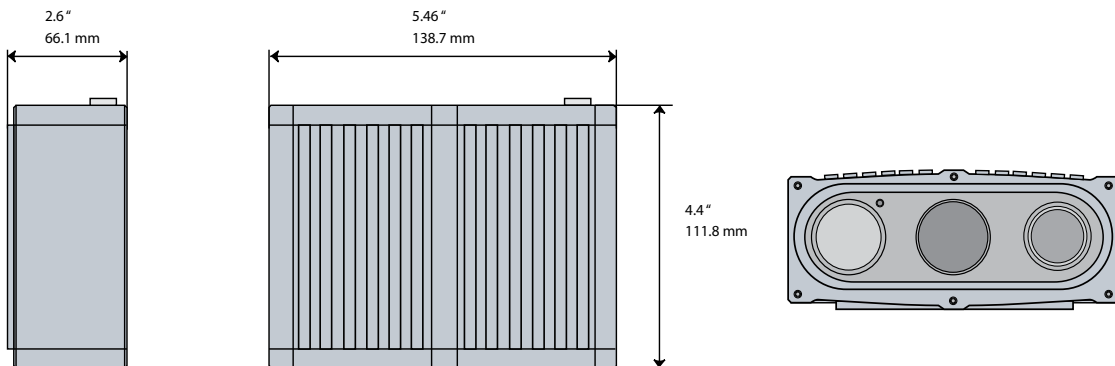
V-220 EX

Mobile ANPR / ALPR Camera

Serious about ANPR. Serious about Service.

Camera Specifications

Models:	ND-V220 EX
Dual Configuration:	Single illuminator Single monochrome ANPR / ALPR camera Single color camera for overview imaging Single illuminator Single monochrome ANPR / ALPR camera
Options:	Illuminator wavelength: 810nm (most visible), 870nm (barely visible), 940nm (invisible)
Image Sensor:	1/4 Type EX-view HAD CCD
Horizontal Resolution:	PAL: 530 TV lines
Lens:	10 x Zoom F= 4.2 mm (WIDE) to 42 mm (TELE), F1.8 to F2.9 Variable zoom speed
Angle of View (H):	46 degree (WIDE end) to 4.6 degree (TELE end)
Sync System:	Internal
S/N Ratio:	50 dB or more
Back Light Compensation:	ON/OFF
Electronic Shutter Speed:	1/50 to 1/10000 (1/1000 to 1/10000 for IR camera)
Gain:	Auto/Manual (-3 to 28 dB, 2dB steps)
Aperture Control:	11 steps CLR, IR camera 7 steps
Presets:	10 for controller. Up to 5 profiles for different operating conditions (day / night / zoom level, etc)
Video Output:	VBS: 1.0 Vp-p (sync negative)
IR Illuminator Options:	740nm, 810nm, 870nm, 940nm
Communications:	Bi-directional RS 232 communications. Allows settings to be downloaded to the camera and uploaded to the computer.
Cable:	RS232, power and video
Operating Voltage:	9 to 16 V (DC Only)
Power Consumption:	8 W (Average)
Dimensions (H x W x D):	Camera: 2.6" x 5.46" x 4.4" (66.1 mm x 138.7 mm x 111.8 mm) Camera with bracket: 2.85" x 6.24" x 6.44" (72.4 mm x 158.5 mm x 163.5 mm)
Weight:	2.9 lbs (1.3 kg)
Environmental:	Sealing: IP68
Storage Temperature:	-4° F to 140° F (-20° C to +60° C), up to 95% RH
Operating Temperature:	+14° F to 122° F (-10° C to +50° C), up to 80% RH



NDI reserves the right to update or change products at any time without prior notice. All trademarks or registered trademarks are property of their respective owners.

© 2014 NDI Recognition Systems. V220-EX-310314

NDI Recognition Systems

NDI House, Barony Court
Nantwich, Cheshire, CW5 5RD
Tel: 0844 381 4171 Fax: 0127 062 5285
Web: www.ndi-rs.com Email: sales@ndi-rs.com



NDI Recognition Systems

105 E. State Road 434
Winter Springs, FL 32708
Tel: 866-458-0426 Fax: 321-441-1801
Web: www.ndi-rs.com Email: sales@ndi-rs.net