

# VP-400

## Ruggedized Mobile ANPR / ALPR Processor

**Serious about ANPR. Serious about Service.**



The VP-400 is a ruggedized ANPR / ALPR processor engineered to withstand the extreme environment and demanding conditions of a patrol vehicle.

Leveraging an Intel Core i7 processor, the VP-400 accepts inputs from up to four (4) dual-lens V-220 ANPR / ALPR cameras. The VP-400 processor receives images from the cameras and uses the powerful Talon™ ANPR / ALPR recognition engine to locate plates and interpret into useful data. VeriPlate™ user interface software (SpeedPlate™ in the United Kingdom, for BOF compliance) checks this data against any number of hotlists managed by the VISCE™ Back Office.

The VP-400 interfaces with an existing laptop or Mobile Data Terminal (MDT), or may use a stand-alone touchscreen, to present alerts to the officer without interfering with other mission critical operations.

### Key Features:

- » Intel Core i7 Processor
- » 120GB ruggedized hard drive
- » Compact size
- » Ruggedized to withstand shock and vibration of vehicle
- » Wide temperature specification for all climates
- » Intelligent power management
- » Manages up to four (4) V-220 ANPR / ALPR cameras
- » Optional wireless communications



#### NDI Recognition Systems

NDI House, Barony Court  
Nantwich, Cheshire, CW5 5RD  
Tel: 0844 381 4171 Fax: 0127 062 5285  
Web: [www.ndi-rs.com](http://www.ndi-rs.com) Email: [sales@ndi-rs.com](mailto:sales@ndi-rs.com)



#### NDI Recognition Systems

105 E. State Road 434  
Winter Springs, FL 32708  
Tel: 866-458-0426 Fax: 321-441-1801  
Web: [www.ndi-rs.com](http://www.ndi-rs.com) Email: [sales@ndi-rs.net](mailto:sales@ndi-rs.net)

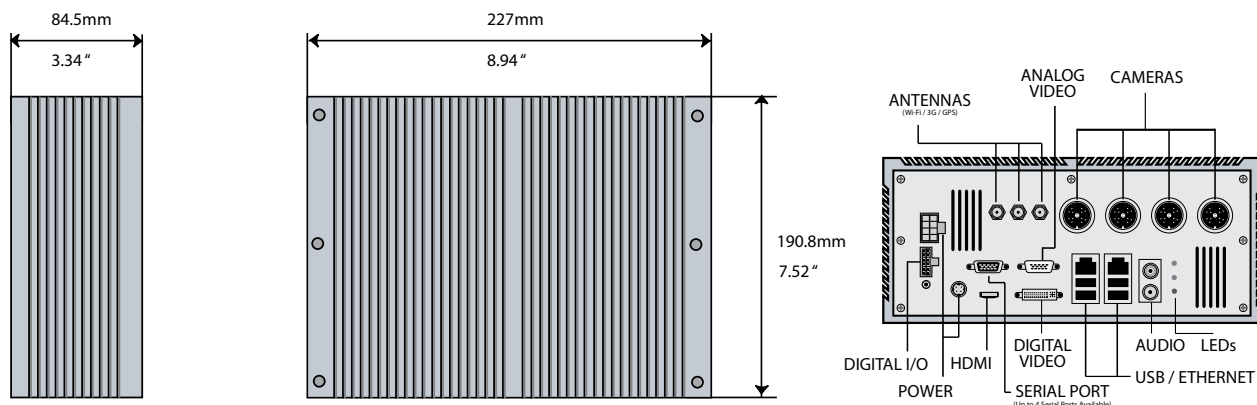
# VP-400

# Ruggedized Mobile ANPR / ALPR Processor

Serious about ANPR. Serious about Service.

## VP400 Specifications

<b>Model:</b>	VP-400
<b>Processor (CPU):</b>	Intel Core i7 620M 2.66GHz Processor with 1066MHz FSB, 4MB Cache
<b>Memory (RAM):</b>	4GB RAM
<b>Hard Drive (HDD):</b>	2.5", 120GB Rugged Hard Drive (240GB and 480GB optional)
<b>BIOS:</b>	AMI System BIOS
<b>USB Ports Type:</b>	4 USB 2.0 High Speed Ports
<b>Ethernet Port Type:</b>	2x RJ45 10/100/1000 Ethernet LAN
<b>Serial Ports:</b>	1 RS232 Ports on Front Panel
<b>Video Output:</b>	1 VGA, 1 DVI Video Connectors
<b>Audio Output:</b>	Stereo Audio Line In/Out Connector Amplified Audio Output
<b>Options:</b>	4 Optional RS232 ports on the back panel, with 2 ports with RS422/485 support
<b>Enclosure:</b>	Extruded Aluminum construction
<b>LPR Camera Support:</b>	8 Channel real-time PCIe Frame Grabber Support for 4 ANPR / ALPR Cameras, via multi position connector, with Video, Power and communication
<b>Power Management:</b>	Built-In Power Management Unit with Intelligent Power Management
<b>Dimensions (H x W x D):</b>	3.34" x 8.94" x 7.52" (85 mm x 227 mm x 191 mm) without mounting bracket 4.21" x 9.76" x 7.52" (107 mm x 248 mm x 191 mm) with vibration absorbing mount
<b>Weight:</b>	< 9 lbs (4 kg)
<b>Operating Temperature/Humidity:</b>	+14° F to 140° F (-10° C to +60° C), RH 90% non-condensing
<b>Storage Temperature/Humidity:</b>	-40° F to 185° F (-40° C to +85° C), RH 90% non-condensing
<b>Power Input Type:</b>	8V - 16V DC, 10A Typical



NDI reserves the right to update or change products at any time without prior notice. Talon, VeriPlate, VISCE and SpeedPlate are registered trademarks of NDI Recognition Systems. All other trademarks or registered trademarks are property of their respective owners.

© 2014 NDI Recognition Systems. VP400-310314

**NDI Recognition Systems**  
NDI House, Barony Court  
Nantwich, Cheshire, CW5 5RD  
Tel: 0844 381 4171 Fax: 0127 062 5285  
Web: [www.ndi-rs.com](http://www.ndi-rs.com) Email: [sales@ndi-rs.com](mailto:sales@ndi-rs.com)



**NDI Recognition Systems**  
105 E. State Road 434  
Winter Springs, FL 32708  
Tel: 866-458-0426 Fax: 321-441-1801  
Web: [www.ndi-rs.com](http://www.ndi-rs.com) Email: [sales@ndi-rs.net](mailto:sales@ndi-rs.net)